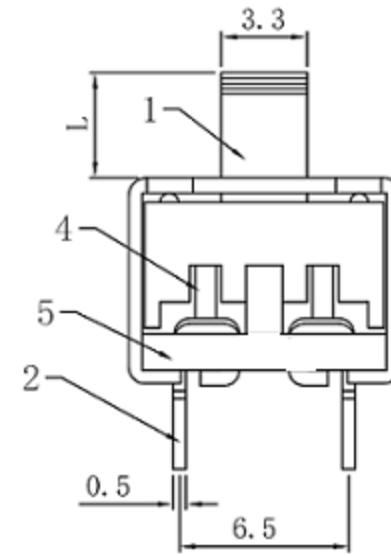
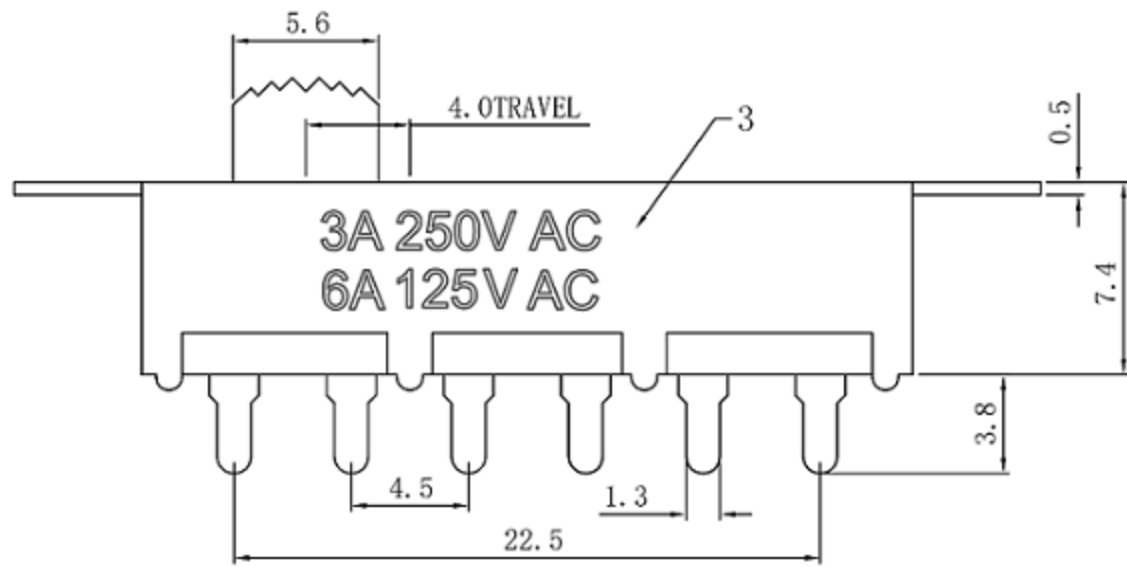


SCHEMATIC



X(mm)
2mm
3mm
4mm
5mm
6mm
7mm
8mm
9mm

SPECIFICATIONS

Rating	0.3A 50V DC
FUNCTION	1P2T
Contact Resistance	200mΩ Max.
Insulation Resistance	100MΩ Min.
Operating Force	200gf ± 80gf
Operating Life	10,000 cycle

NO.	PARTS	MATERIALS	QTY	FINISH
5	CONTACT CLIP	PBS STRIP	1	Ag PLATED
4	TERMINAL	BRASS	3	Ag PLATED
3	BASE	PHENOLIC RESIN	1	NATURAL
2	FRAME	STEEL STRIP	1	Ni PLATED
1	KNOB	POM	1	BLACK



東莞市高迪電子有限公司
DONG GUAN GAO DI ELECTRONICS CO., LTD

TOLERANCE UNLESS OTHERWISE STATED:
 Up to 5 ±0.2
 Above 5 ~ 15 ±0.3
 Above 15 ~ 30 ±0.4
 Above 30 ~ 50 ±0.5
 Angle ±0.3°

3RD. ANGEL'S



UNITS

MM

DRAWN BY: DATE

Ming Ming Zou 11/19/14

CHECKED BY: DATE

Ming Ning Su 11/19/14

APPROVED BY: DATE

Jia Xiang 11/19/14

MAT'L

FINISH

SCALE

SHEET NO.

TITLE

MODLE

DWG NO.

PART NO.

SWITCH

SLIDE SWITCH

GD-SS25H25E

SIZE

A4

VER

R2

ITEM NO.	DESCRIPTION	DRAWN	DATE
2	新增SPEC	Jack	111914
1	新增尺寸	Jack	061614